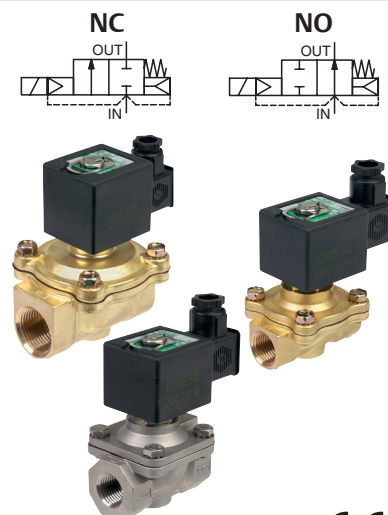


# ASCO™ Solenoid Valves

Pilot Operated, Hung Diaphragm, 3/8" to 1" 1/2

- Two way shut-off valves for the control air, inert gas, water, oil and other gases/liquids compatible with the sealing material used
- Valves do not require a minimum operating pressure
- All products are covered by Pressure Equipment Directive 2014/68/EU and are suitable for group 1 and 2 fluids
- The solenoid valves satisfy all relevant EU directives



## General

**Differential pressure** See «SPECIFICATIONS» [1 bar = 100 kPa]  
**Maximum viscosity** 65 cSt (mm<sup>2</sup>/s)  
**Response time** 15 - 120 ms

fluids (*)	temperature range (TS)	seal materials (*)
air, inert gas, water, oil	-20°C to +85°C	NBR (nitrile)

## Materials in contact with fluid

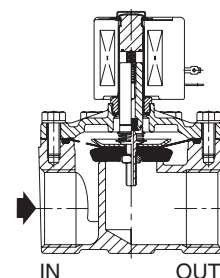
(\*) Ensure that the compatibility of the fluids in contact with the materials is verified

	Brass body	Stainless steel body
<b>Body</b>	Brass	AISI 304 SS
<b>Core tube</b>	Stainless steel	Stainless steel
<b>Core and plugnut</b>	Stainless steel	Stainless steel
<b>Springs</b>	Stainless steel	Stainless steel
<b>Seat</b>	Brass	Stainless steel
<b>Seals, diaphragm &amp; disc</b>	NBR	NBR
<b>Disc holder (NO function)</b>	PA	PA
<b>Shading coil</b>	Copper	Silver

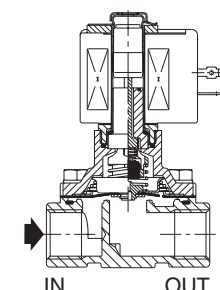


## Electrical characteristics

**Coil insulation class** F or H  
**Connector** Spade plug (cable Ø 6-10 mm)  
**Connector specification** ISO 4400 / EN 175301-803, form A  
**Electrical safety** IEC 335  
**Electrical enclosure protection** Moulded IP65 (EN 60529)  
**Standard voltages** DC (=): 24V - 48V  
 (Other voltages and 60 Hz on request) AC (-): 24V - 48V - 115V - 230V / 50 Hz



NC function



NO function

prefix option	power ratings				operator ambient temperature range (TS) (C°)	replacement coil		type <sup>(1)</sup>
	inrush		holding			hot/cold =	=	
	~	~	~	~				
SC	(VA)	(VA)	(W)	(W)	(C°)	230 V/50 Hz	24 V DC	
	55	23	10,5	9/ 11,2	-20 to +75	400425-117	400425-142	01
	78	35	16,7	-	-20 to +50	400425-217	-	01
	110	33,6	15,4	-	-20 to +75	400525-117	-	02
	240	43	20	16,8/23	-20 to +50	400525-217	400625-242	02

<sup>(1)</sup> Refer to the dimensional drawings on the following page.

## Specifications

pipe size	orifice size	flow coefficient Kv		operating pressure differential (bar)								power coil (W)		Catalog number		options				
				min.	max. (PS)						brass					stainless steel	maintained man. operator	FPM	EPDM	CR
					air (*)	water (*)	oil (*)	~	=	~										
	(mm)	(m <sup>3</sup> /h)	(l/min)		~	=	~	=	~	=	~	=								
<b>NC - Normally closed</b>																				
Rp 3/8	16	2,6	43	0	9	3	9	3	-	-	10,5	11,2	SCE210C093	-	MO	V	E	J		
Rp 1/2	16	3,4	57	0	9	3	9	3	-	-	10,5	11,2	SCE210C094	-	MO	V	E	J		
G 1/2	16	3,4	57	0	9	3	9	3	9	-	16,7	11,2	-	SCG210C087	MO	V	E	J		
Rp 3/4	19	4,3	72	0	9	3	9	3	-	-	10,5	11,2	SCE210D095	-	MO	V	E	J		
G 3/4	16	3,9	65	0	9	3	9	3	9	-	16,7	11,2	-	SCG210C088	MO	V	E	J		
Rp 1	25	11,1	185	0	9	7	9	7	9	5	15,4	23	SCE210B154 <sup>(2)</sup>	-	MO	V	E	J		
G 1		9,6	160	0	9	7	9	7	9	5	15,4	23	-	SCG210D189	-	V	E	J		
Rp 1 1/4	28	12,8	213	0	9	6	9	6	9	4	15,4	23	SCE210B155 <sup>(2)</sup>	-	MO	V	E	J		
Rp 1 1/2	32	19,3	322	0	9	5	9	5	9	3	15,4	23	SCE210B156 <sup>(2)</sup>	-	MO	V	E	J		

<sup>(2)</sup> Mounting position, DC only: piping horizontal, solenoid upright.

**Specifications**

pipe size	orifice size (mm)	flow coefficient Kv (m <sup>3</sup> /h) (l/min)		operating pressure differential (bar)						power coil (W)		catalogue number brass stainless steel		options				
				min.	max. (PS)			maintained man. operator	FPM					EPDM	CR			
					air (*)	water (*)	oil (*)											
<b>NO - Normally open</b>																		
Rp 3/8	16	2,6	43	0	9	9	9	9	9	5	10,5	11,2	SCE210C033	-	-	V	E	J
Rp 1/2	16	3,4	57	0	9	9	9	9	9	5	10,5	11,2	SCE210C034	-	-	V	E	J
NPT 1/2		2,6	43	0	9	9	9	9	9	7	5	10,5	11,2	-	SCB210B030	-	V	E
Rp 3/4	19	4,7	79	0	9	9	9	9	9	5	10,5	11,2	SCE210C035	-	-	V	E	J
NPT 3/4	16	2,6	43	0	9	9	9	9	7	5	10,5	11,2	-	SCB210B038	-	V	E	J
Rp 1	25	11,2	185	0	9	-	9	-	9	-	20	-	SCE210B057 <sup>(1)</sup>	-	-	V	E	J
Rp 1 1/4	28	12,8	213	0	9	-	9	-	9	-	20	-	SCE210B058 <sup>(1)</sup>	-	-	V	E	J
Rp 1 1/2	32	19,3	322	0	9	-	9	-	9	-	20	-	SCE210B059 <sup>(1)</sup>	-	-	V	E	J

<sup>(1)</sup> Mounting position: piping horizontal, solenoid upright.

**Options**

- Valves can also be supplied with FPM (fluoroelastomer), EPDM (ethylene-propylene) and CR (chloroprene) diaphragms, seals and discs. Use the appropriate optional suffix letter for identification
- Waterproof enclosure with embedded screw terminal coil according to protection class IP67, CEE-10
- Explosionproof enclosures for use in zones 1/21-2/22, categories 2-3 to ATEX Directive 2014/34/EU <sup>(2)</sup>
- Electrical enclosures according to “NEMA” standards are available
- Compliance with “UL”, “CSA” and other local approvals available on request
- Mounting brackets for brass bodied valves, suffix MB (Except pipe size Rp 1, 1 1/4 and 1 1/2)
- For protection against corrosion caused by the environment or the fluid, contact us
- Other pipe connections are available on request
- Connector with visual indication and peak voltage suppression or with cable length of 2 m

<sup>(2)</sup> Please consult the quick selection guide on potentially explosive atmospheres on Emerson.com/asco

**Installation**

- The solenoid valves can be mounted in any position without affecting operation, unless indicated otherwise in the specifications table.
- Stainless steel valves are standard supplied with mounting brackets
- Pipe connection identifiers are: G = G (ISO 228/1), E = Rp (ISO 7/1) or B = NPT (ANSI 1.20.3)
- Installation/maintenance instructions are included with each valve

**Spare parts kit & Accessories**

Catalog number	spare parts kit no.		mounting bracket
	~	=	
SCE210C093/C094	C302272	C302372	038713-000
SCE210D095	C302276	C302375	038713-000
SCE210B154	C302283	C133800	-
SCE210B155	C302283	C133801	-
SCE210B156	C302286	C133802	-
SCE210C033/C034	C302334	C302449	038713-000
SCE210C035	C302335	C302450	038713-000
SCE210B057	C302337	-	-
SCE210B058	C302339	-	-
SCE210B059	C302340	-	-
SCG210C087/C088	C302328	C302423	038713-000
SCB210B030/B038	C302347	C302447	-
SCG210D189	C302329	C133668	-

- Not available

**Ordering examples:**

SC	E	210	C	093	230V / 50 Hz
SC	E	210	C	094	MO 115V / 50 Hz
SC	B	210	C	087	V 24V / DC
SC	B	210	D	089	230V / 50 Hz

prefix — pipe thread — basic number — voltage — suffix

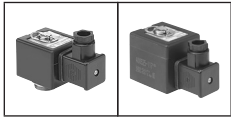
**Ordering examples kits:**

C302272 <sup>(3)</sup>	
C302276	V
C302449	E

basic number — suffix

<sup>(3)</sup> Standard prefixes/suffixes are also applicable to kits.

**Dimensions (mm), Weight (kg)**



**TYPE 01-02**  
Prefix "SC" Solenoid  
Epoxy moulded  
IEC 335 / ISO 4400  
IP65

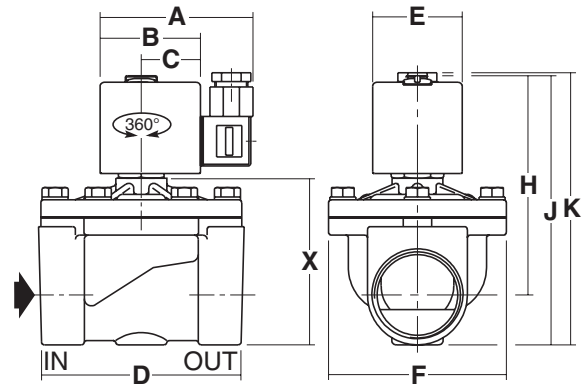
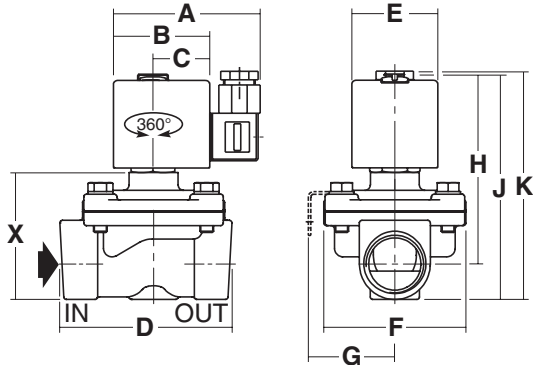
Type 01: SCE210C093/C094/D095

SCG210C087/C088

Type 02: SCE210B154/B155

SCG210D189

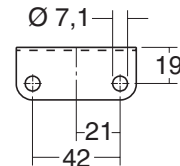
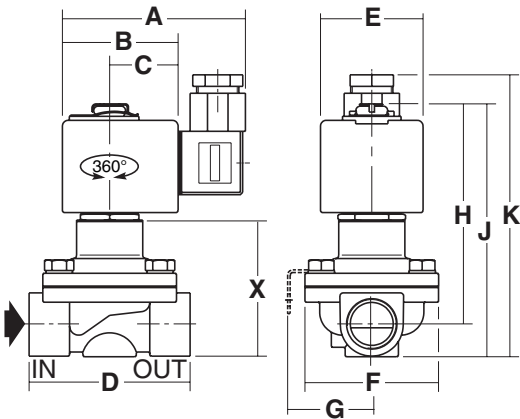
Type 02: SCE210B156



Type 01: SCE210C033/C034/C035

SCB210B030/B038

Type 02: SCB210B057/B058/B059



Mounting brackets for valves: (0,3 kg)  
SCE210C093/C094/D095  
SCG210C087/C088/D189  
SCE210C033/C034/C035

type	prefix option	Catalog number	A	B	C	D	E	F	G	H	J	K	X	weight <sup>(2)</sup>
01	SC	SCE210C093/C094	80	50	30	70	45	58	41	80	97	109	46	0,8
		SCE210D095	80	50	30	73	45	58	41	89	103	121	54	1,0
		SCG210C087/C088	80	50	30	71	45	61	41	87	105	122	55	1,0
		SCE210C033/C034	80	50	30	70	45	58	41	98	108	127	60	0,9
		SCE210C035	80	50	30	70	45	58	41	102	117	132	68	1,0
		SCB210B030/B038	80	50	30	71	45	59	41	100	116	133	67	1,0
02	SC	SCE210B156	86	56	33	111	50	99	-	125	153	158	96	2,8
		SCE210B154	86	56	33	95	50	83	-	112	129	137	75	2,0
		SCE210B155	86	56	33	95	50	83	-	112	143	148	86	2,0
		SCG210D189	86	56	33	95	50	99	56	113	133	132	77	2,2
		SCE210B057	86	56	33	95	50	83	-	155	172	157	98	2,0
		SCE210B058	86	56	33	95	50	83	-	161	187	187	130	2,0
		SCE210B059	86	56	33	111	50	99	-	167	194	194	137	2,5

<sup>(2)</sup> Incl. coil(s) and connector(s)

