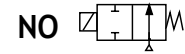
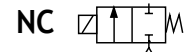




Direct Acting  
**Low Pressure Solenoid Valves**  
 Brass or Stainless Steel Bodies  
 3/8" to 3/4" NPT



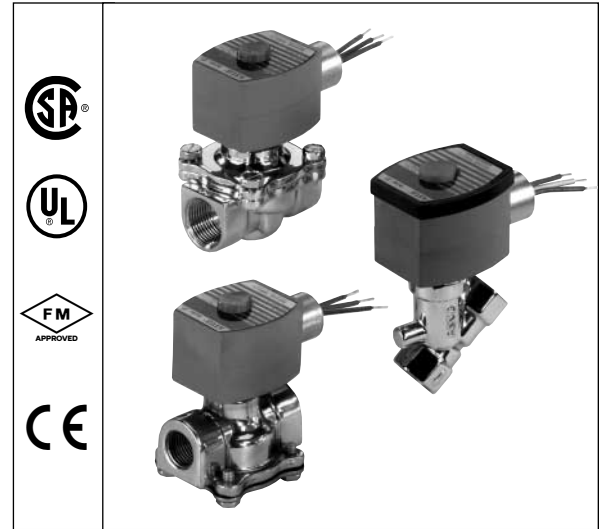
**2/2**  
 SERIES  
**8030**

**Features**

- Operate at low pressures: no minimum required; up to 15 psi maximum differential.
- Normally Closed or Normally Open operation.
- Widely used for dispensing, collating, gas shutoff, vacuum holding, and tank draining applications.
- Normally Open valve well suited for venting systems.

**Construction**

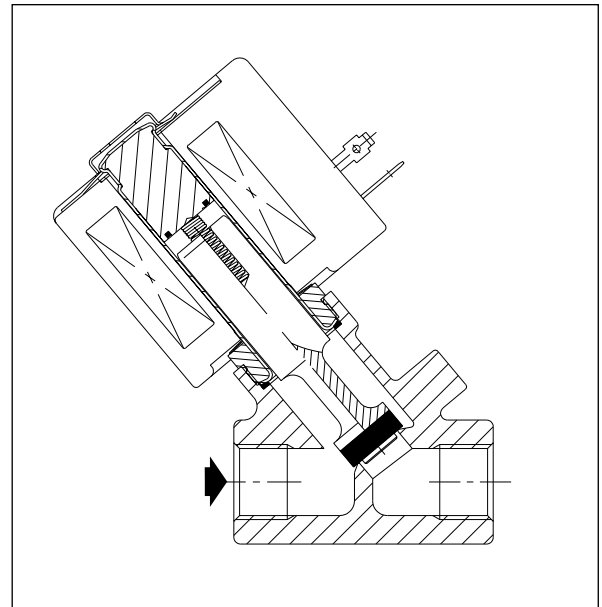
Valve Parts in Contact with Fluids		
Body	Brass	304 Stainless Steel
Seals and Disc	NBR	
Core Tube	305 Stainless Steel	
Core and Plugnut	430F Stainless Steel	
Core Spring	302 Stainless Steel	
Shading Coil	Copper	Silver
Stem	PA (Normally Open)	



**Electrical**

Standard Coil and Class of Insulation	Watt Rating and Power Consumption				Spare Coil Part Number			
	DC Watts	AC			General Purpose		Explosionproof	
		Watts	VA Holding	VA Inrush	AC	DC	AC	DC
F	10.6	6.1	16	40	238210	238310	238214	238314
F	11.6	10.1	25	70	238610	238710	238614	238714
F	--	16.1	35	95	272610	97617	272614	97617
F	--	17.1	40	93	238610	--	238614	--
F	--	20.1	48	240	272610	--	272614	--

**Standard Voltages:** 24, 120, 240, 480 volts AC, 60 Hz (or 110, 220 volts AC, 50 Hz), 6, 12, 24, 120, 240 volts DC. Must be specified when ordering. Other voltages available when required.



**Nominal Ambient Temperature Ranges:**

AC: 32°F to 125°F (0°C to 52°C)  
 DC: 32°F to 104°F (0°C to 40°C)

**Solenoid Enclosures**

**Standard:** Watertight, Types 1, 2, 3, 3S, 4, and 4X.  
**Optional:** Explosionproof and Watertight, Types 3, 3S, 4, 4X, 6, 6P, 7, and 9. (To order, add prefix "EF" to catalog number.)

**Approvals:**

CSA certified. UL listed, as indicated. FM approved (Normally Closed only except 8030G17 and 8030G67). Meets applicable CE directives.

Specifications (English units)

Pipe Size (ins.)	Orifice Size (ins.)	Cv Flow Factor	Operating Pressure Differential (psi)						Max. Fluid Temp. °F		Brass Body			Stainless Steel Body			Watt Rating/ Class of Coil Insulation ①	
			Min.	Max. AC		Max. DC		AC	DC	Catalog Number	Constr. Ref. No.	UL ② Listing	Catalog Number	Constr. Ref. No.	UL ② Listing	AC	DC	
				Air-Inert Gas	Water	Air-Inert Gas	Water											
<b>NORMALLY CLOSED (Closed when de-energized)</b>																		
3/8	3/8	1.8	0	7	5	3	3	180	120	8030G10	1	○	8030G64	1	○	6.1/F	10.6/F	
3/8	3/8	1.8	0	15	15	3.5	3.5	180	150	8030G13	2	○	8030G65	2	○	10.1/F	11.6/F	
1/2	7/16	2.8	0	4	6	-	-	180	-	8030G16	3	○	8030G66	3	○	6.1/F	-	
1/2	7/16	2.8	0	15	15	-	-	200	-	8030G17	11	○	8030G67	11	○	16.1/F	-	
3/4	3/4	5	0	2	2	1	1	180	150	8030G3	9	○	-	-	-	10.1/F	11.6/F	
3/4	3/4	5	0	4	4	-	-	180	-	8030G43	9	○	-	-	-	17.1/F	-	
3/4	5/8	5.4	0	2.5	2.5	-	-	180	-	-	-	-	8030G63	10	○	10.1/F	-	
<b>NORMALLY OPEN (Open when de-energized)</b>																		
3/8	3/8	1.6	0	15	15	-	-	200	-	8030G70	12	●	-	-	-	16.1/F	-	
1/2	7/16	2.2	0	15	15	-	-	200	-	8030G71	13	●	-	-	-	20.1/F	-	
1/2	3/4	5	0	2	2	-	-	180	-	8030G82	7	●	-	-	-	10.1/F	-	
3/4	3/4	5.5	0	2	2	-	-	180	-	8030G83	8	●	-	-	-	10.1/F	-	

Notes: ① On all 50 hertz service, the watt rating for the 6.1/F solenoid is 8.1 watts.  
 ② ○ = Safety Shutoff Valve; ● = General Purpose Valve. Refer to Engineering Section (Approvals) for details.

Specifications (Metric units)

Pipe Size (ins.)	Orifice Size (mm)	Kv Flow Factor (m3/h)	Operating Pressure Differential (bar)						Max. Fluid Temp. °C		Brass Body			Stainless Steel Body			Watt Rating/ Class of Coil Insulation ①	
			Min.	Max. AC		Max. DC		AC	DC	Catalog Number	Constr. Ref. No.	UL ② Listing	Catalog Number	Constr. Ref. No.	UL ② Listing	AC	DC	
				Air-Inert Gas	Water	Air-Inert Gas	Water											
<b>NORMALLY CLOSED (Closed when de-energized)</b>																		
3/8	10	1.5	0	0.5	0.3	0.2	0.2	81	48	8030G10	1	○	8030G64	1	○	6.1/F	10.6/F	
3/8	10	1.5	0	1.0	1.0	0.2	0.2	81	65	8030G13	2	○	8030G65	2	○	10.1/F	11.6/F	
1/2	11	2.4	0	0.3	0.4	-	-	81	-	8030G16	3	○	8030G66	3	○	6.1/F	-	
1/2	11	2.4	0	1.0	1.0	-	-	92	-	8030G17	11	○	8030G67	11	○	16.1/F	-	
3/4	19	4.3	0	0.1	0.1	0.1	0.1	81	65	8030G3	9	○	-	-	-	10.1/F	11.6/F	
3/4	19	4.3	0	0.3	0.3	-	-	81	-	8030G43	9	○	-	-	-	17.1/F	-	
3/4	16	4.6	0	0.2	0.2	-	-	81	-	-	-	-	8030G63	10	○	10.1/F	-	
<b>NORMALLY OPEN (Open when de-energized)</b>																		
3/8	10	1.4	0	1.0	1.0	-	-	92	-	8030G70	12	●	-	-	-	16.1/F	-	
1/2	11	1.9	0	1.0	1.0	-	-	92	-	8030G71	13	●	-	-	-	20.1/F	-	
1/2	19	4.3	0	0.1	0.1	-	-	81	-	8030G82	7	●	-	-	-	10.1/F	-	
3/4	19	4.7	0	0.1	0.1	-	-	81	-	8030G83	8	●	-	-	-	10.1/F	-	

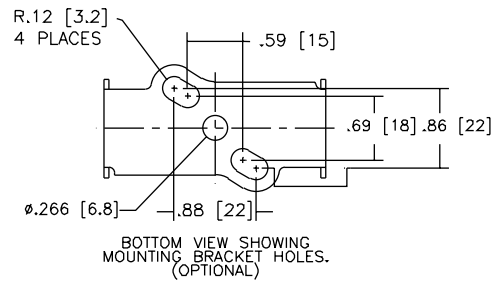
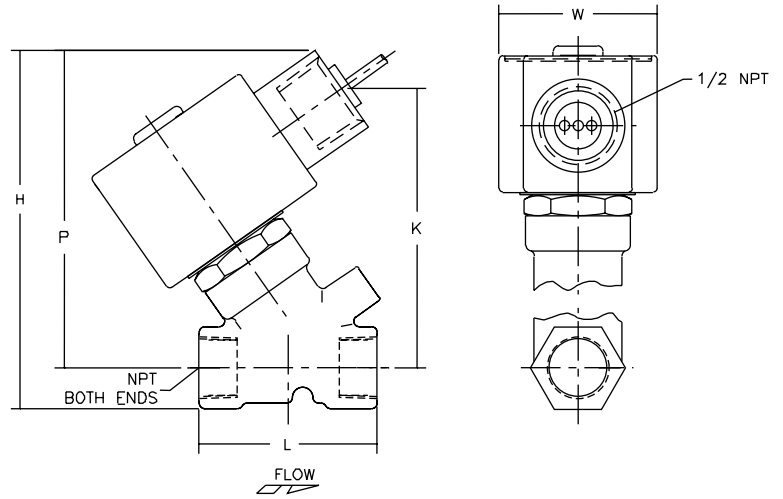
Notes: ① On 50 hertz service, the watt rating for the 6.1/F solenoid is 8.1 watts.  
 ② ○ = Safety Shutoff Valve; ● = General Purpose Valve. Refer to Engineering Section (Approvals) for details.

Dimensions: inches (mm)

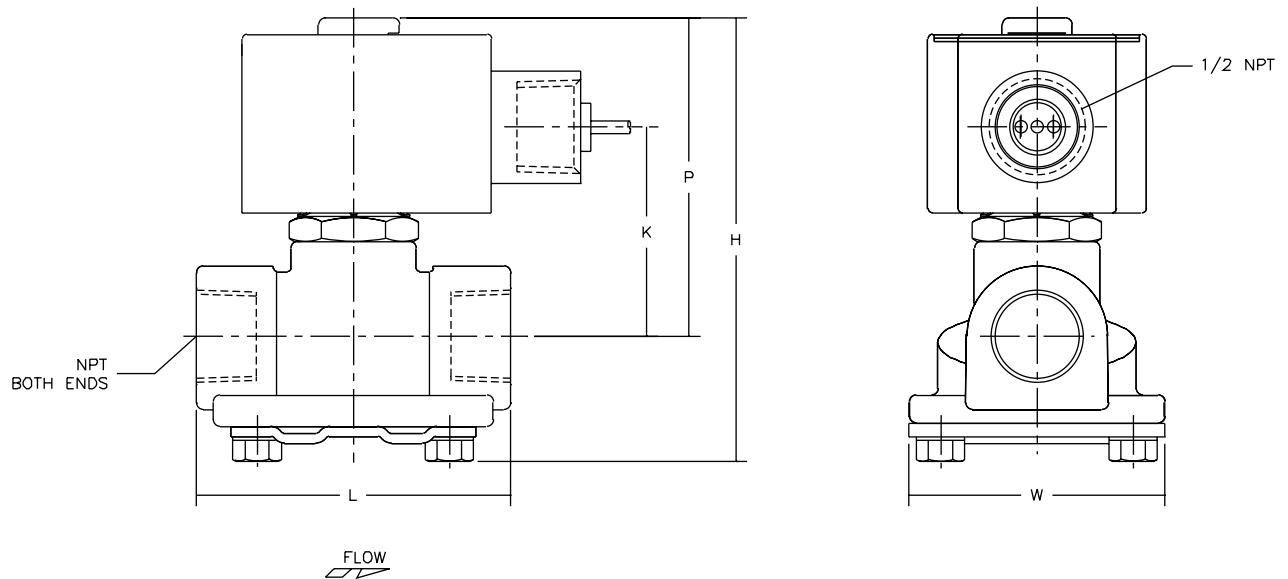
Constr. Ref. No.		H	K	L	P	W
1	ins.	3.85	3	1.91	3.41	1.69
	mm	98	76	49	87	43
2	ins.	4	3.14	1.91	3.55	1.95
	mm	102	80	49	90	50
3	ins.	4.07	3.25	2.28	3.63	1.69
	mm	103	83	58	92	43
7	ins.	3.97	1.88	2.81	2.85	2.29
	mm	101	48	71	72	58
8	ins.	3.97	1.88	2.81	2.85	2.29
	mm	101	48	71	72	58
9	ins.	4.1	2.44	2.81	3.41	2.28
	mm	104	62	71	87	58
10	ins.	4.16	2.47	2.81	3.44	2.28
	mm	106	63	71	87	58
11	ins.	4.31	3.39	2.28	3.77	2.06
	mm	110	86	58	96	52
12	ins.	4.16	1.1	1.91	3.72	2.06
	mm	106	28	49	94	52
13	ins.	4.37	1.05	2.28	3.83	2.06
	mm	111	27	58	97	52

**IMPORTANT:** Valves may be mounted in any position, except for 8030G3 DC.

Constr. Refs. 1, 2, 3

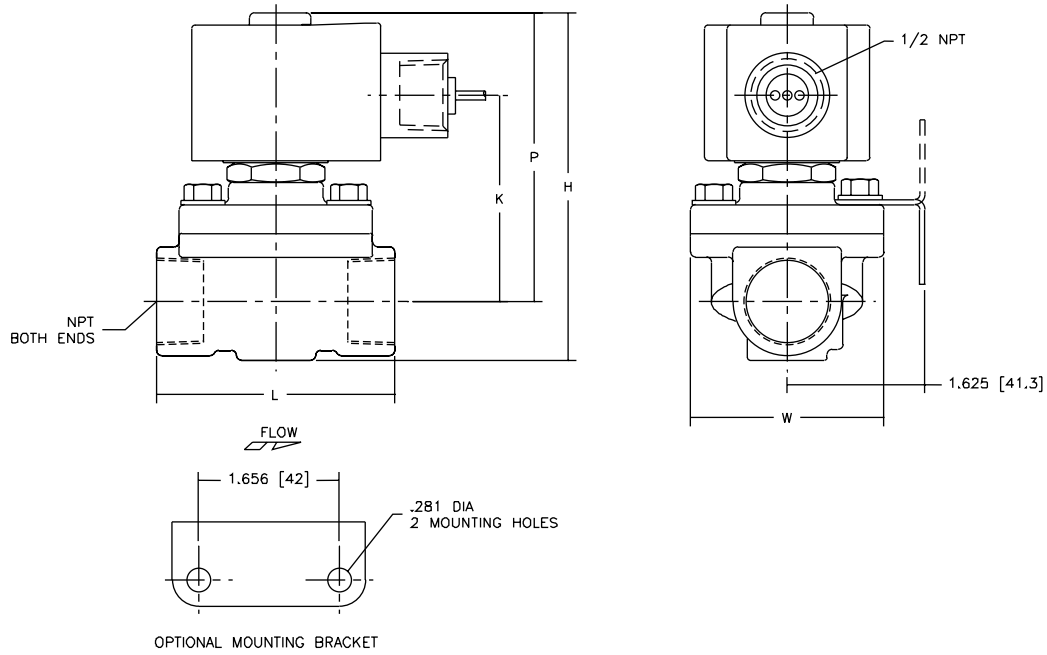


Constr. Refs. 7, 8



Dimensions: inches (mm)

Constr. Refs. 9, 10



Constr. Refs. 11, 12, 13

