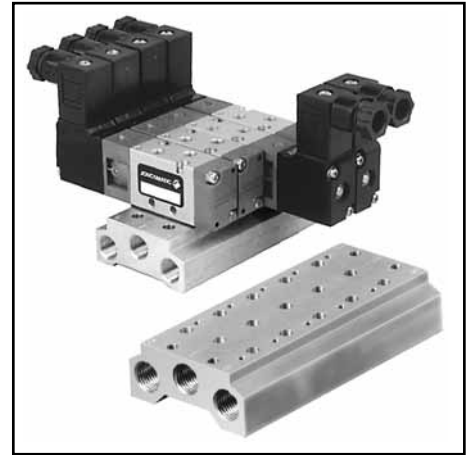


SPECIFICATIONS

number of valves	catalogue number		
	519 (M5)	520 (G 1/8)	521 (G 1/4)
2	35500324	35500333	35500342
3	35500325	35500334	35500343
4	35500326	35500335	35500344
5	35500327	35500336	35500345
6	35500328	35500337	35500346
7	35500329	35500338	35500347
8	35500330	35500339	35500348
9	35500331	35500340	35500349
10	35500332	35500341	35500350
flange (1)	88135525	88135532	-
blanking plate (2)	88135526	88135527	88135528

Subbases in light alloy are supplied with screws and seals for valve adaptation.
Ports 1-3-5 can be connected at the 2 subbase ends.
These subbases come with 3 plugs for ports 1-3-5.



MOUNTING RECOMMENDATIONS

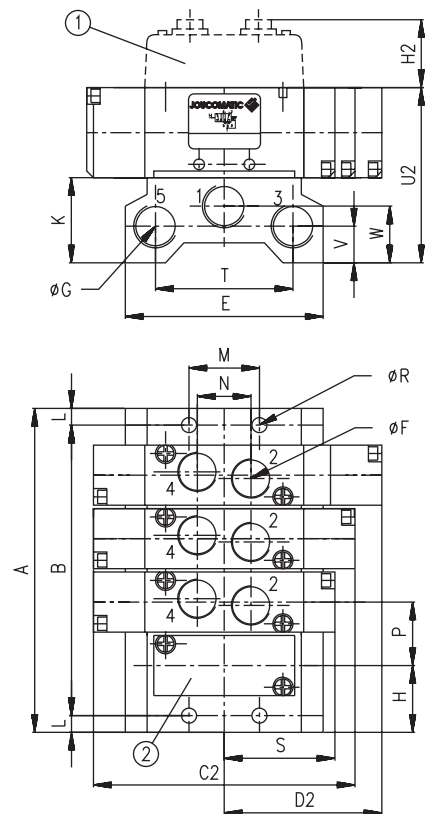
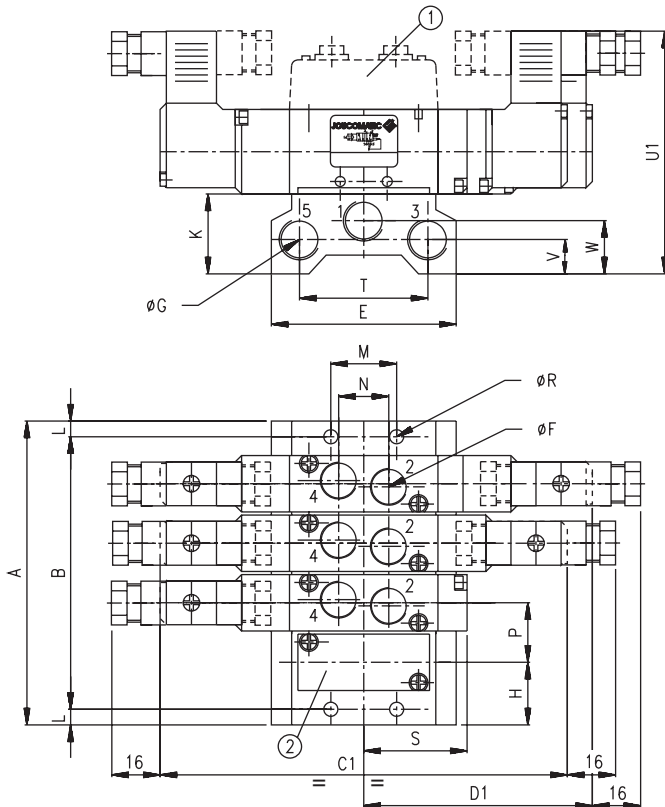
5 spool valves at most can be **simultaneously** operated without pressure loss. To operated more valves, pressure must be supplied through appropriate inlets on each side of the subbase.

DIMENSIONS (mm), WEIGHT (kg)



Solenoid air operator

Air operator



* subbases only

number of valves	A			B			weight*		
	519	520	521	519	520	521	519	520	521
2	59	59	77	41	49	63	105	145	300
3	75	78	100	57	68	86	135	195	390
4	91	97	123	73	87	109	165	240	485
5	107	116	146	89	106	132	195	290	575
6	123	135	169	105	125	155	225	340	670
7	139	154	192	121	144	178	250	385	760
8	155	173	215	137	163	201	280	435	855
9	171	192	238	153	182	224	310	485	945
10	187	211	261	169	201	247	340	530	1040

- ① Flange for ports 2-4 with instant fittings for flexible tube
4 mm O.D. (519) - 6 mm O.D. (520), and with pressure indicators
- ② Blanking plate for base

series	C1	C2	D1	D2	E	ØF	ØG	H	H2	K	L	M	N	P	ØR	S	T	U1	U2	V	W
519	113	61	64,5	38,5	46	M5	G1/8	21,5	15	20	9	16	11	16	4,5	25	32	72	46	8	13
520	129,5	85	73,2	51,5	59	G1/8	G1/4	20	23	25	5	21	16,2	19	4,5	33,5	41	80	52,5	11	17
521	143,7	100	82,6	59	74	G1/4	G3/8	27	-	30	7	26	22	23	5,5	41,5	52	87,5	62	13	19

Series 520 spring return, dimension S = 51