

FEATURES

- Two-way normally closed valves for automatic control of superheated water/steam, air and inert gas and other gases/liquids compatible with the seal materials used
- Minimum operating differential pressure 0,4 bar
- The solenoid valves satisfy all relevant EC Directives

GENERAL

Differential pressure See «SPECIFICATIONS» [1 bar = 100 kPa]
Maximum viscosity 37 cSt (mm²/s)
Response time 100 - 1500 ms

fluids (*)	temperature range (TS)	seal materials (*)
superheated water, steam	+ 60°C to + 170°C	PTFE - reinforced

MATERIALS IN CONTACT WITH FLUID

(*) Ensure that the compatibility of the fluids in contact with the materials is verified

Body Brass
Internal parts Stainless steel and brass
Springs Stainless steel
Seat Stainless steel
Seals, diaphragm PTFE
Disc Reinforced PTFE
Shading coil Copper

ELECTRICAL CHARACTERISTICS

Coil insulation class F
Connector Spade plug (cable Ø 6-7 mm or Ø 6-10 mm)
Connector specification
for coil 6 W (type 01) DIN 43650, 11 mm, industry standard B
for coil 9 W (type 02) ISO 4400 / EN 175301-803, form A
Electrical safety IEC 335
Electrical enclosure protection Moulded IP65 (EN 60529)
Standard voltages AC (~) : 24V - 48V - 115V - 230V / 50 Hz
(Other voltages and 60 Hz on request)

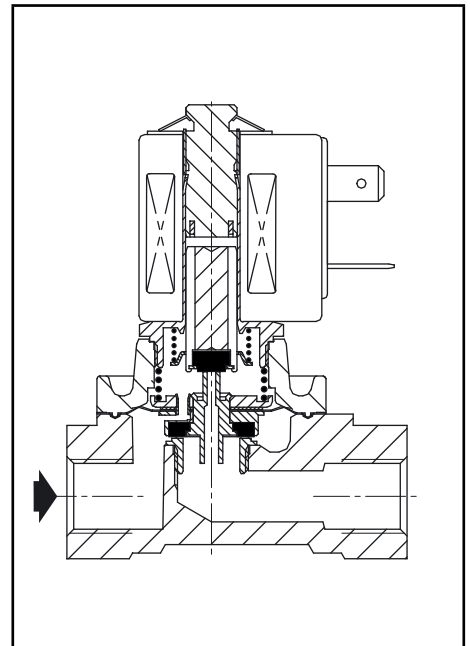
prefix option	power ratings				operator ambient temperature range (TS) (C°)	replacement coil		type ⁽¹⁾
	inrush ~	holding ~		hot/cold =		~	=	
	(VA)	(VA)	(W)	(W)		230 V/50 Hz		
SC	16	10	6	-	-10 to +80	43005171	-	01
	23	14	9	-	-10 to +80	43005157	-	02

⁽¹⁾ Refer to the dimensional drawings on the following page.

SPECIFICATIONS

pipe size	orifice size	flow coefficient Kv		operating pressure differential (bar)				max. fluid temp. ⁽²⁾ (°C)		power coil (W)		catalogue number	
				min.	max. (PS)		max. (PS)						
					steam (*)	water (*) ⁽²⁾							
G	(mm)	(m ³ /h)	(l/min)		~	=	~	=	~	=			
NC - Normally closed													
3/8	10	2	33,3	0,4	8	-	8	-	170	-	6	-	SCG240A100
1/2	10	2,5	41,6	0,4	8	-	8	-	170	-	6	-	SCG240A101
3/4	16	4,5	75	0,4	6	-	6	-	170	-	9	-	SCG240A102
1	18,5	8,5	141,6	0,4	6	-	6	-	170	-	9	-	SCG240A103

⁽²⁾ Min. fluid temperature: +60°C.



OPTIONS

- Other pipe connections are available on request
- Plug with visual indication and peak voltage suppression or with cable length of 2 m (see Solenoids, Coils & Accessories section)

INSTALLATION

- The solenoid valves can be mounted in any position without affecting operation
- Pipe connection identifier is G = G (ISO 228/1)
- Installation/maintenance instructions are included with each valve

SPARE PARTS KIT

catalogue number	spare parts kit no.	
	(1)	(2)
SCG240A100/101	97701881	97701890
SCG240A102	97701882	97701891
SCG240A103	97701883	97701891

(1) Diaphragm/disc and spring.

(2) Core, core disc and spring.

ORDERING EXAMPLES:

SC	G	240	A	100	230V / 50 Hz
SC	G	240	A	101	115V / 50 Hz
SC	G	240	A	102	48V / 50 Hz
SC	G	240	A	103	24V / 50 Hz

prefix — SC
 pipe thread — G
 basic number — 240 A 100
 voltage — 230V / 50 Hz
 suffix —

ORDERING EXAMPLES KITS:

97701881
97701891

basic number —

DIMENSIONS (mm), WEIGHT



TYPE 01

Prefix "SC" Solenoid
Epoxy moulded
IEC 335 / DIN 43650
IP65

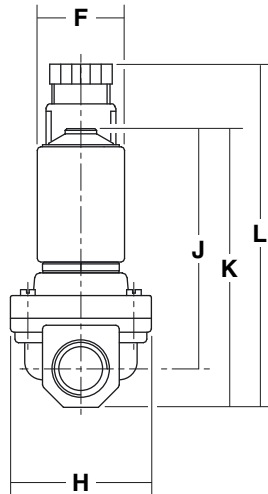
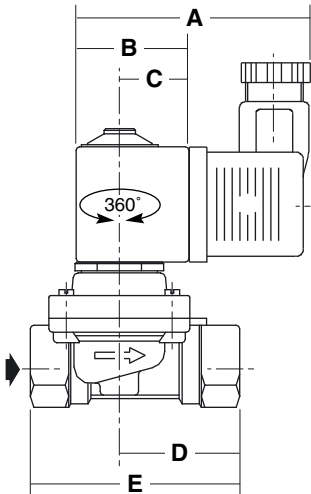
SCG240A100/101



TYPE 02

Prefix "SC" Solenoid
Epoxy moulded
IEC 335 / ISO 4400
IP65

SCG240A102/103



type	prefix option	catalogue number	A	B	C	D	E	F	H	J	K	L	weight ⁽³⁾
01	SC	SCG240A100	61,5	33,5	21	34,5	60	25	40	69	80	95	0,38
		SCG240A101	61,5	33,5	21	33	66	25	40	72	85	100	0,41
02	SC	SCG240A102	73	43	27	39,5	79	32	50	78	94,5	109,5	0,79
		SCG240A103	73	43	27	59	105	32	71	102	123	138	1,34

(3) including coil and connector.