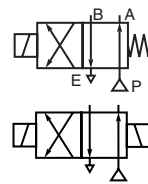




# SOLENOID VALVES

direct operated, slide disc  
single/dual solenoid (mono/bistable function)  
1/4 - 3/8



**4/2**  
Series  
**342**

## FEATURES

- Brass bodied 4/2 slide disc valves, single or dual solenoid, ideally suited to control double acting cylinders
- Solenoid valves with integrated pilot and slide disc mechanism
- Direct lift solenoid valves have spring loaded sliding resilient for absolute tight shut-off
- The solenoid valves satisfy all relevant EC Directives

## GENERAL

**Differential pressure** See "SPECIFICATIONS" [1 bar =100 kPa]  
**Maximum viscosity** 65 cSt (mm<sup>2</sup>/s)  
**Response times** 20 - 40 ms

fluids (*)	temperature range (TS)	seal materials (*)
air, inert gas, water, oil	- 20°C to + 70°C	NBR (nitrile)

## MATERIALS IN CONTACT WITH FLUID

(\*) Ensure that the compatibility of the fluids in contact with the materials is verified

<b>Body</b>	Brass
<b>Core tube</b>	Stainless steel
<b>Core and plugnut</b>	Stainless steel
<b>Core spring</b>	Stainless steel
<b>Seat</b>	PTFE - reinforced
<b>Seals</b>	NBR
<b>Discs</b>	NBR
<b>Slide</b>	PA
<b>Slide cups</b>	FPM
<b>Shading coil</b>	Copper

## ELECTRICAL CHARACTERISTICS

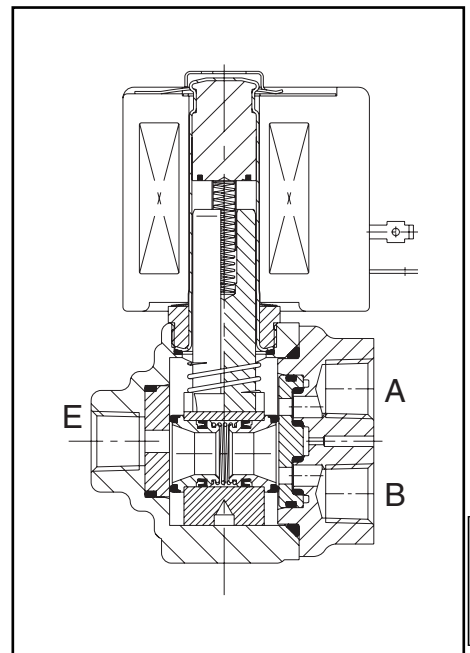
**Coil insulation class** F  
**Connector** Spade plug (cable Ø 6-10 mm)  
**Connector specification** ISO 4400 / EN 175301-803, form A  
**Electrical safety** IEC 335  
**Electrical enclosure protection** Moulded IP65 (EN 60529)  
**Standard voltages** AC (~) : 24V - 48V - 115V - 230V / 50 Hz  
 (Other voltages and 60 Hz on request)

prefix option	power ratings				operator ambient temperature range (TS) (C°)	replacement coil		type <sup>(1)</sup>
	inrush ~ (VA)	holding ~ (W)		= (W)		~ 230 V/50 Hz	= -	
		(VA)	(W)					
SC	110	33,6	15,4	-	-20 to + 75	400525-117	-	01
	240	43	20	-	-20 to + 50	400525-217	-	

<sup>(1)</sup> Refer to the dimensional drawings on the following page.

## SPECIFICATIONS

pipe size	orifice size	flow coefficient Kv		operating pressure differential (bar)						power coil (W)		catalogue number	options			
				min.	max. (PS)								maintained man. operator	FPM		
					air (*)	water (*)	oil (*)	air (*)	water (*)						oil (*)	
NPT	(mm)	(m <sup>3</sup> /h)	(l/min)	~	=	~	=	~	=	~	=	~	MS	V	-	
<b>Solenoid pilot operated - spring return (monostable)</b>																
1/4	4,8	0,6	9,9	0	9	-	7	-	7	-	20	-	SCB342C001	MS	V	-
3/8	4,8	0,6	9,9	0	9	-	7	-	7	-	20	-	SCB342C003	MS	-	-
<b>Solenoid pilot operated and return (bistable)</b>																
1/4	4,8	0,05	0,8	0	9	-	9	-	9	-	15,4	-	SCB342C020	-	V	-
3/8	4,8	0,18	3	0	9	-	9	-	9	-	15,4	-	SCB342C022	-	-	-



**G**

### OPTIONS

- Valves can also be supplied with FPM (fluoroelastomer) seals and discs. Use the appropriate optional suffix letter for identification
- Waterproof enclosure with embedded screw terminal coil according to protection class IP67, CEE-10
- Explosionproof enclosures for use in zones 1/21-2/22, categories 2-3 to ATEX Directive 94/9/EC (see "Explosionproof solenoids" section)
- Electrical enclosures according to "NEMA" standards are available
- Compliance with "UL", "CSA" and other local approvals available on request
- Adjustable flow controls
- Other pipe connections are available on request
- Plug with visual indication and peak voltage suppression or with cable length of 2m (see Solenoids, Coils & Accessories section)

### INSTALLATION

- The solenoid valves can be mounted in any position without affecting operation
- Solenoid valves have 2 mounting holes in body
- Pipe connection identifier is B = NPT (ANSI 1.20.3)
- Installation/maintenance instructions are included with each valve

### SPARE PARTS KIT

catalogue number	spare parts kit n°.	
	~	=
SCB342C001/003	<b>C306191</b>	-
SCB342C020/022	<b>C306193</b>	-

<sup>(1)</sup> Standard prefixes/suffixes are also applicable to kits.  
 - Not available

### ORDERING EXAMPLES:

SC	B	342	C	001	230V / 50 Hz
SC	B	342	C	003	MS 115V / 50 Hz
SC	B	342	C	020	V 48V / 50 Hz
SC	B	342	C	022	230V / 50 Hz

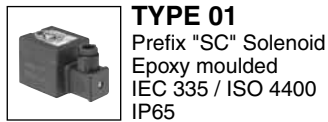
prefix: SC, pipe thread: B, basic number: 342, C: coil, voltage: 230V / 50 Hz, suffix: 001, 003, 020, 022, MS, V

### ORDERING EXAMPLES KITS:

C306191 <sup>(1)</sup>	V
C306193	
C306193	

basic number: C306191, C306193, suffix: V

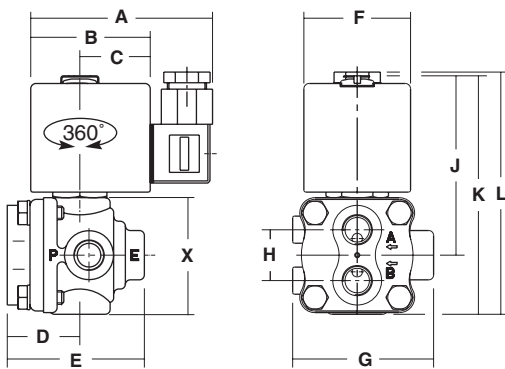
### DIMENSIONS (mm), WEIGHT (kg)



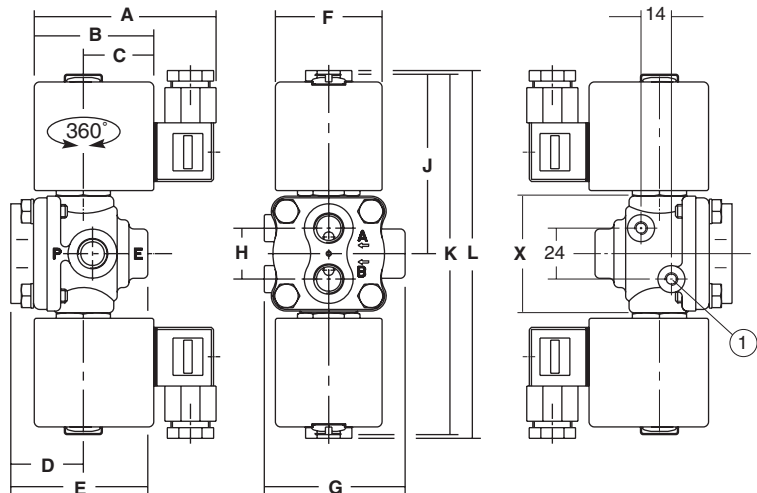
#### TYPE 01

Prefix "SC" Solenoid  
 Epoxy moulded  
 IEC 335 / ISO 4400  
 IP65

SCB342C001/003



SCB342C020/022



type	prefix option	catalogue number	A	B	C	D	E	F	G	H	J	K	L	X	weight <sup>(2)</sup>
01	SC	SCB342C001/003	86	56	33	30	64	50	66	24	84	111	117	55	1,2
		SCB342C020/022	86	56	33	30	64	50	66	24	84	167	166	51	1,7

<sup>(2)</sup> including coil and connector.

① 2 mounting holes Ø M4, depth 6 mm

All leaflets are available on: [www.asconumatics.eu](http://www.asconumatics.eu)