

FEATURES

- The solenoid valves satisfy all relevant EC directives
- Brass and stainless steel balanced poppet pressure valves with full flow capacity (9 mm dia.)
- Valves are especially suited for heavy duty industrial applications
- Version:
 - with spade plug connector (SC prefix, construction 1)
 - solenoids conform to international **ATEX/CENELEC** standards **EN50014** and **EN50018**, **EEx d**, with cable entry 1/2 NPT (NF prefix, ATEX 94/9/EC, construction 2) or with cable entry M20 x 1,5 mm (NB prefix, construction 3)

GENERAL

Differential pressure 0 - 8 bar [1 bar = 100kPa]
Maximum viscosity 65 cSt (mm²/s)
Response times 75 - 100 ms

fluids (*)	temperature ranges (TS)	seal materials (*)
air, inert gas, water, oil	(C 1 - C 2) -20°C to +85°C	NBR (nitrile)
	(C 3) -20°C to +50°C	

MATERIALS IN CONTACT WITH FLUID

(*) Ensure that the compatibility of the fluids in contact with the materials is verified

	Brass body	Stainless steel body
Body	Brass	AISI 316 SS
Core tube, core spring	Stainless steel	Stainless steel
Core and plugnut	Stainless steel	Stainless steel
Poppet stem	Stainless steel	Stainless steel
Seals / poppets	NBR	NBR
Seat	Brass	Stainless steel
Shading coil	Copper	Silver

ELECTRICAL CHARACTERISTICS

Coil insulation class F
Connector specification ISO 4400/EN 175301-803, form A
Electrical safety IEC 335
Connection constructions 2 and 3 Screw terminals
Standard voltages DC (=) : 24V
(Other voltages and 60 Hz on request) AC (~) : 24V - 115V - 230V / 50 Hz

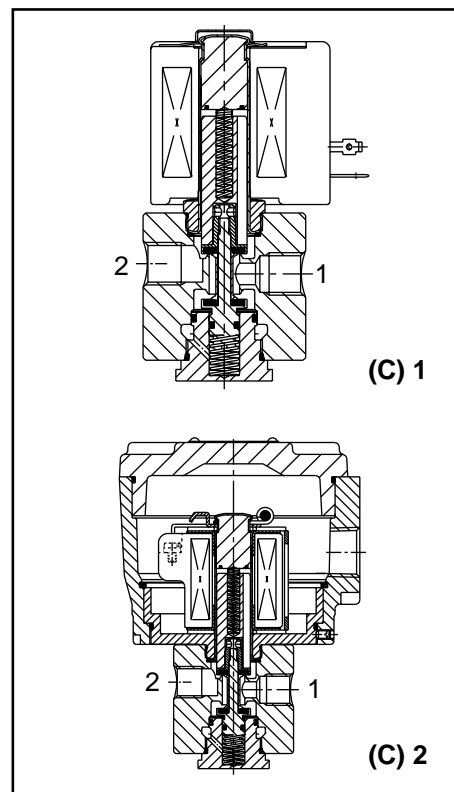
coil type	(C)	nominal power ratings			ambient temperature ranges (1) (TS) (°C)	protection or safety code
		inrush (~) (VA)	holding (~) (VA)	hot/cold (=) (W)		
CM12-FB	1	95	43,0	20,0	-20 to +50	moulded IP65
CM12-FB	1	-	-	16 / 23	-20 to +25	moulded IP65
SM12-FB	2	95	43,0	20,0	-40 to +40	EEx d IIC T5
SM12-FB	3	95	43,0	20,0	-20 to +40	EEx d IIC T4
SM12-FB	2	-	-	16 / 23	-40 to +40	EEx d IIC T5
	3	-	-	16 / 23	-20 to +40	EEx d IIC T5

SPECIFICATIONS

pipe size	orifice size	flow coefficient Kv		operating pressure differential (bar)						coil type		catalogue number construction 1			
				min.	maximum (PS)			min.	max.						
					air (*)	water (*)	oil (*)								
NPT	(mm)	(m ³ /h)	(l/min)	~	=	~	=	~	=	~	=	brass (1)	stainless steel (1)		
U - Universal															
1/4	9	0,68	11,3	0	5	5	4	4	4	4	4	CM12-FB	CM12-FB	SCB307B015U	SCB307B005U
3/8	9	0,68	11,3	0	5	5	4	4	4	4	4	CM12-FB	CM12-FB	SCB307B045U	SCB307B035U
1/2	9	0,68	11,3	0	5	5	4	4	4	4	4	CM12-FB	CM12-FB	SCB307B075U	SCB307B065U
NC - Normally closed															
1/4	9	0,68	11,3	0	8	8	7	7	7	7	7	CM12-FB	CM12-FB	SCB307B015F	SC B307B005F
3/8	9	0,68	11,3	0	8	8	7	7	7	7	7	CM12-FB	CM12-FB	SCB307B045F	SCB307B035F
1/2	9	0,68	11,3	0	8	8	7	7	7	7	7	CM12-FB	CM12-FB	SCB307B075F	SCB307B065F
NO - Normally open															
1/4	9	0,68	11,3	0	8	8	7	7	7	7	7	CM12-FB	CM12-FB	SCB307B015G	SCB307B005G
3/8	9	0,68	11,3	0	8	8	7	7	7	7	7	CM12-FB	CM12-FB	SCB307B045G	SCB307B035G
1/2	9	0,68	11,3	0	8	8	7	7	7	7	7	CM12-FB	CM12-FB	SCB307B075G	SCB307B065G

(C) Construction type
(1) Catalogue number:

construction 2, use the **NF** prefix, example **NFB307B15U**
construction 3, use the **NB** prefix, example **NBB307B15U**



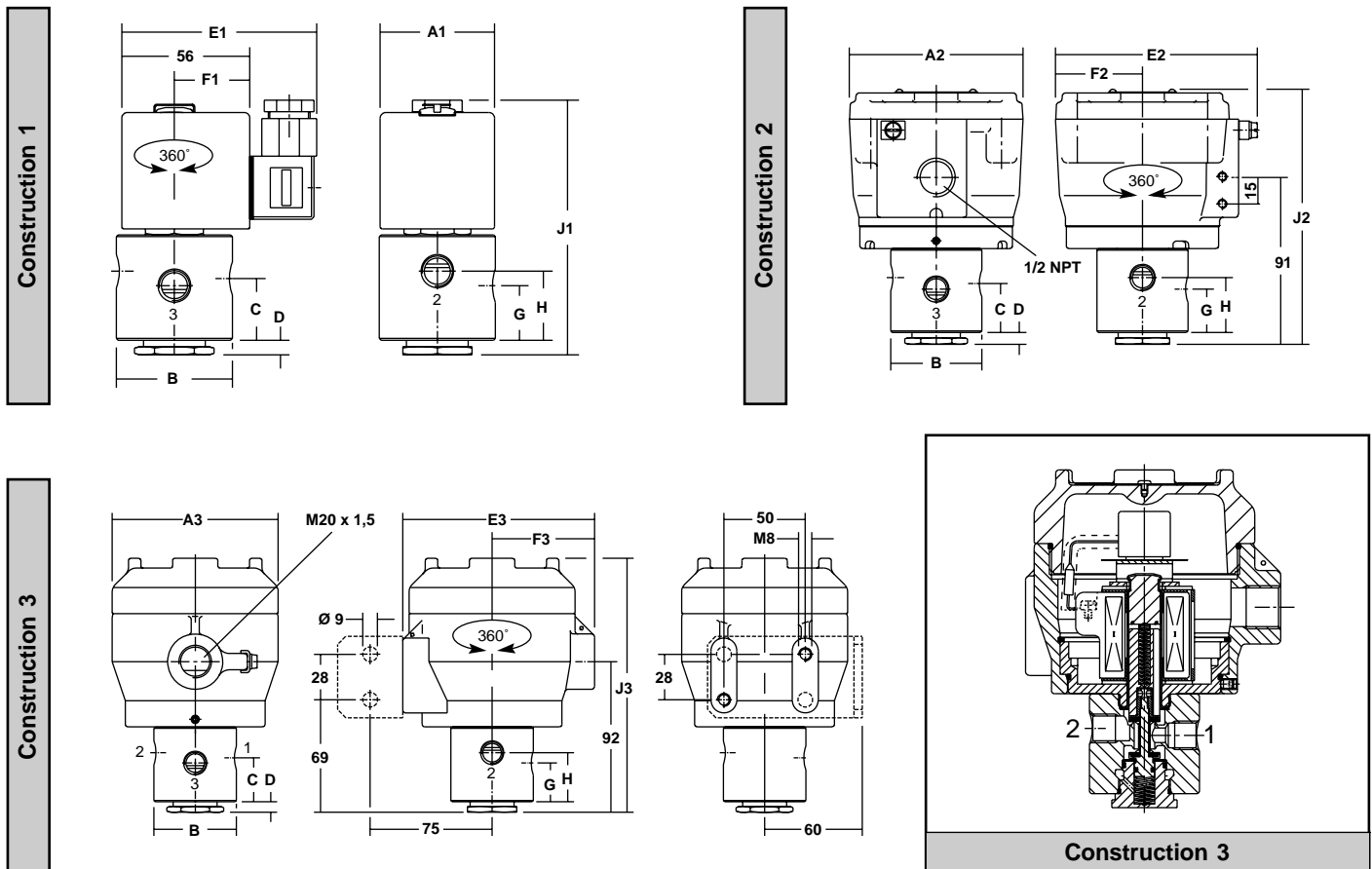
OPTIONS

- FPM (fluorelastomer) seal. Add optional suffix **V** to the catalogue number
- Waterproof enclosure with embedded screw terminal coil and Pg 13,5 cable gland to meet CEE-10 (IP67)
- Explosionproof enclosures for hazardous locations according to "ATEX/CENELEC" and national standards
- Explosionproof and watertight enclosures according to "NEMA" standards
- Mounting brackets
- Manual operator with impuls (suffix **MO**) or maintained (suffix **MS**)
- Plug with visual indication and peak voltage suppression or with cables of 2m
- Constructions 2 and 3: Voltage suppressors are available on DC construction and coil class H

INSTALLATION

- The solenoid valves can be mounted in any position without affecting operation
- Constructions 2 and 3: Two mounting holes provided in operator head
- Pipe connection identifier is: B = NPT (ANSI 1.20.3)
- The third digit in the catalogue number indicates the standard pipe connection
- Other pipe threads are available on request
- Installation/maintenance instructions are included with each valve
- Spare Parts Kit and replacement coils are available

DIMENSIONS (mm), WEIGHT (kg)



catalogue number B307	A1	A2	A3	B	C	D	E1	E2	E3	F1	F2	F3	G	H	J1	J2	J3	weight		
																		(c)1	(c)2	(c)3
B005 - B015	50	97	102	51	27	6	86	114	118	33	49	55	24	30	109	140	156	1,25	3,9	3,9
B035 - B045	50	97	102	51	27	6	86	114	118	33	49	55	24	28	109	140	156	1,25	3,9	3,9
B065 - B075	50	97	102	64	26	6	86	114	118	33	49	55	26	26	109	140	156	1,70	4,3	4,3

(C) Type construction
(1) Incl. coil and connector

All leaflets are available on: www.ascojoucomatic.com