

### FEATURES

- Solenoid valves satisfy all relevant EC directives
- Compact and low weight valve enabling easy installation
- Epoxy moulded coil for general service applications
- Coils interchangeable without dismantling the valve

### GENERAL

**Differential pressure** See "SPECIFICATIONS" [1 bar = 100 kPa]  
**Maximum viscosity** 40 cSt (mm<sup>2</sup>/s)  
**Response time** 8 - 20 ms (with air ΔP = 6 bar)

fluids (*)	temperature range (TS)	sealings (*)
water, air, inert gas, oil	-25°C to +80°C	NBR (nitrile / buna-n)

### MATERIALS IN CONTACT WITH FLUID

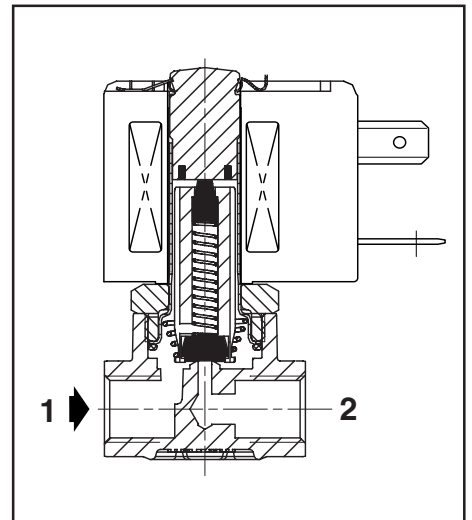
(\*) Ensure that the compatibility of the fluids in contact with the materials is verified

	Brass body	Stainless steel body
<b>Body</b>	Brass	AISI 316L (1.4404)
<b>Internal parts, spring</b>	Stainless steel	Stainless steel
<b>Seat</b>	Brass	Stainless steel
<b>Sealings</b>	NBR, FPM or EPDM	NBR, FPM or EPDM
<b>Shading coil</b>	Copper	Copper

### ELECTRICAL CHARACTERISTICS

**Coil insulation class** F  
**Connector** Spade plug (Pg 11P)  
**Connector specification** ISO 4400  
**Electrical safety** VDE 0580  
**Standard voltages** DC (=): 24V  
 (Other voltages and 60 Hz on request) AC (~): 24V - 115V - 230V / 50 Hz

coil type	nominal power ratings				ambient temperature range (TS) (°C)	coil construction
	inrush		holding			
	~ (VA)	~ (VA)	= (W)	= (W)		
JMX	23	14	8	8 / 9,7	-25 to +60	moulded IP65
CMXX-FT	55	23	10,5	9 / 11,2		



### SPECIFICATIONS

pipe size (G*)	orifice size (mm)	flow coefficient Kv (m <sup>3</sup> /h) (l/min)		operating pressure differential (bar)						coil type ~ / =	(M)	catalogue number (~ / =)		OPTIONS			
				maximum (PS)								brass	stainless steel	FPM	EPDM		
				min.	air (*)		water (*)		oil (*)								
1/4	2,0	0,11	1,8	0	~	=	~	=	~	=	JMX	×	SC E272A001	SC E272A031	V	E	
					×	SC E272A001 MS	SC E272A031 MS	V	E								
					~	SC E272A016	SC E272A046	V	E								
					●	SC E272A016 MS	SC E272A046 MS	V	E								
	2,7	0,22	3,6	0	0	~	=	~	=	~	=	JMX	×	SC E272A002	SC E272A032	V	E
						×	SC E272A002 MS	SC E272A032 MS	V	E							
						~	SC E272A017	SC E272A047	V	E							
						●	SC E272A017 MS	SC E272A047 MS	V	E							
	3,8	0,32	5,3	0	0	~	=	~	=	~	=	JMX	×	SC E272A003	SC E272A033	V	E
						×	SC E272A003 MS	SC E272A033 MS	V	E							
						~	SC E272A018	SC E272A048	V	E							
						●	SC E272A018 MS	SC E272A048 MS	V	E							
4,5	0,42	7	0	0	~	=	~	=	~	=	JMX	×	SC E272A004	SC E272A034	V	E	
					×	SC E272A004 MS	SC E272A034 MS	V	E								
					~	SC E272A019	SC E272A049	V	E								
					●	SC E272A019 MS	SC E272A049 MS	V	E								
5,5	0,63	10,5	0	0	~	=	~	=	~	=	JMX	×	SC E272A005	SC E272A035	V	E	
					×	SC E272A005 MS	SC E272A035 MS	V	E								
					~	SC E272A020	SC E272A050	V	E								
					●	SC E272A020 MS	SC E272A050 MS	V	E								

(M) Manual operator, suffix MS: X : without ● : screwdriver

The codes in the grey shaded areas correspond to commonly used products which can be supplied rapidly

### OPTIONS

- Valves can also be supplied with FPM (fluorelastomer / viton) and EPDM (ethylene-propylene). Use the appropriate optional suffix letter for identification
- Oxygen service with seals and disc in FPM, suffix **NV**, example : SC E272A031 MS NV
- IP67 enclosure with screw terminal coils and gland Pg 13,5, to CEE-10 (prefix **WP** or **WS**)
- Explosionproof enclosures NF/NK (EEx d), EM/WSEM (EEx em), PV (EEx m) for potentially explosive atmospheres, EC test to 94/9/EC ATEX Directive (see section 10).  
**Prefixes applied to coil CMXX-FT, see corresponding catalogue numbers, example: NF E272A016**  
Operating pressure differential (bar) in alternative current for the PV coil (EEx m): use the values indicated for the JMX coil
- Class H coil (CMXX-HT), prefix **HT**, example: S**CHT** E272A016
- Plug with visual indication and with peak voltage suppression or with cable length of 2m (see section 11)

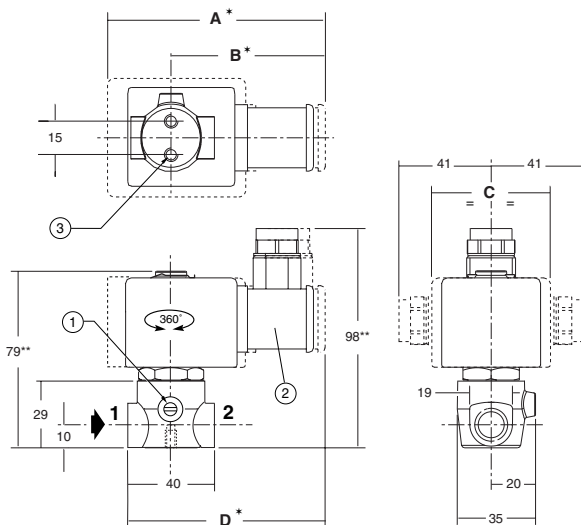
### INSTALLATION

- The valves can be mounted in any position without affecting operation
- Valves have 2 mounting holes in the body
- Pipe connections (G\*) have standard combination thread according to ISO 228/1 and ISO 7/1
- The third digit in the catalogue number indicates the standard pipe connection
- Other pipe threads are available on request
- Installation/maintenance instructions are included with each solenoid valve (see Section 11)
- Spare Parts Kits and replacement coils are available

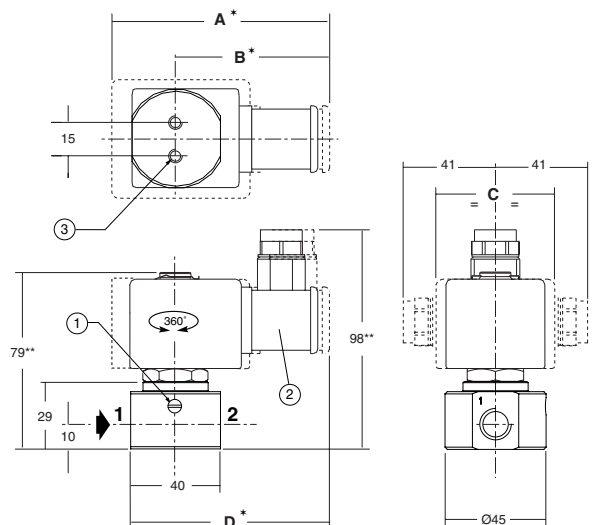
### DIMENSIONS (mm), WEIGHT (kg)



Brass body version



Stainless steel body version



coil type	A	B	C	D	weight (1)	
					brass	stainless steel
JMX	70	55	30	75	0,340	0,450
CMXX-FT	85	64	45	84	0,510	0,600

(1) Incl. coil and connector

- Screwdriver manual operator (suffix **MS**)
- Connector rotatable by 90° increments (Pg 11P)
- Mounting: two M4, depth 6 holes

\* +15 mm for connector removal

\*\* +41 mm for coil removal