

ASCO Scientific's patented Series 458 rocker isolation valves feature a unique rocker diaphragm mechanism that shields the internal components of the solenoid from the fluid. The design forms an easy to flush, low volume internal cavity.

- Suitable for corrosive media that would attack valves designed for general service duty
- Prevents contamination of fluid sample, due to excellent flushing characteristics
- Rocker design significantly reduces erratic flow caused by pumping action in poppet style valves
- Standard built-in manual operator for testing or troubleshooting
- An air operated version is also available. In this version an air cylinder replaces the solenoid as the valve actuator

### Construction

Valve Parts in Contact with Fluids	
Flange	PSU or PEEK
Diaphragm	EPDM

### Electrical

Standard Voltages	6, 12, 24 VDC +10%, -5% 115 VAC (with rectifier in lead wires)
Power Consumption	2.5 Watts
Duty Cycle Rating	Continuous
Coil Insulation	266°F (130°C)
Electrical Connection	26 gage lead wire

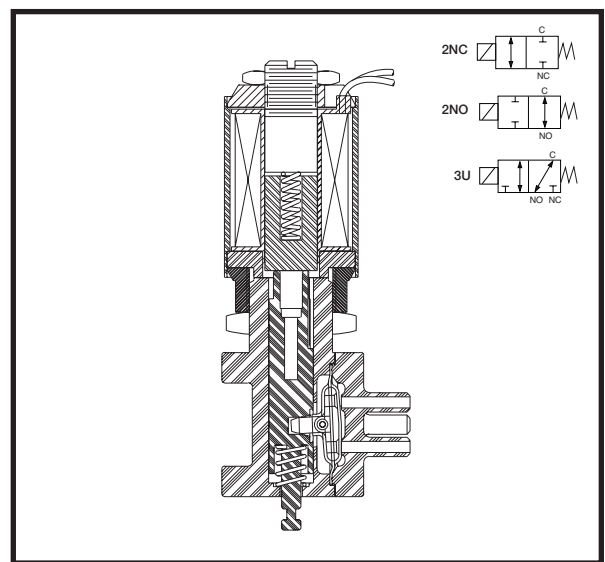
### Valve

Response Time	~20 ms at rated voltage
Internal Volume	51 µL -2-Way 62 µL -3-Way
Options	<ul style="list-style-type: none"> <li>• Surface or panel mount</li> <li>• Barbed bib ports for 0.062" ID to 0.082" soft tubing</li> <li>• Threaded-flat bottom ports available with #1/4-28 UNF, #10-32 UNF, or M6 threads</li> <li>• Air Operated version (30 psig pilot pressure required)</li> </ul>
Vacuum Rating	29" Hg

### Alternative Constructions

Many alternative constructions are available and include a variety of voltages, electrical connectors, and materials of construction. ASCO Scientific can also custom design a valve for your specific application.

Contact your local ASCO sales office for more information.



### Temperature Range:

Ambient & Media:  
32°F to 114°F (0°C to 45°C) continuous duty

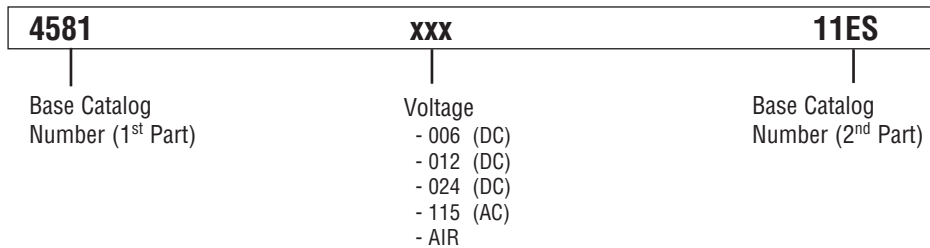
### Approvals:

Meets applicable CE directives

**Specifications**

Ports	Orifice Size (ins.)	Cv Flow Factor	Flange Material	Mount	Maximum Pressure (psi)	Catalog Number	Watt Rating @ 20°C	Weight (oz.)
<b>2-WAY NORMALLY CLOSED (Closed when de-energized)</b>								
Barbed Hose Bib	0.062	0.04	PSU	Surface	35	4581xxx11ES	2.5	2
Barbed Hose Bib	0.062	0.04	PSU	Panel	35	4581xxx11EP	2.5	2
#10-32 UNF FB	0.062	0.04	PEEK	Surface	35	4581xxx22ES	2.5	2
#10-32 UNF FB	0.062	0.04	PEEK	Panel	35	4581xxx22EP	2.5	2
1/4-28 UNF FB	0.062	0.04	PEEK	Surface	35	4581xxx32ES	2.5	2
1/4-28 UNF FB	0.062	0.04	PEEK	Panel	35	4581xxx32EP	2.5	2
M6 FB	0.062	0.04	PEEK	Surface	35	4581xxx42ES	2.5	2
M6 FB	0.062	0.04	PEEK	Panel	35	4581xxx42EP	2.5	2
<b>2-WAY NORMALLY OPEN (Open when de-energized)</b>								
Barbed Hose Bib	0.062	0.04	PSU	Surface	35	4582xxx11ES	2.5	2
Barbed Hose Bib	0.062	0.04	PSU	Panel	35	4582xxx11EP	2.5	2
#10-32 UNF FB	0.062	0.04	PEEK	Surface	35	4582xxx22ES	2.5	2
#10-32 UNF FB	0.062	0.04	PEEK	Panel	35	4582xxx22EP	2.5	2
1/4-28 UNF FB	0.062	0.04	PEEK	Surface	35	4582xxx32ES	2.5	2
1/4-28 UNF FB	0.062	0.04	PEEK	Panel	35	4582xxx32EP	2.5	2
M6 FB	0.062	0.04	PEEK	Surface	35	4582xxx42ES	2.5	2
M6 FB	0.062	0.04	PEEK	Panel	35	4582xxx42EP	2.5	2
<b>3-WAY UNIVERSAL OPERATION (Pressure at any port)</b>								
Barbed Hose Bib	0.062	0.04	PSU	Surface	35	4583xxx11ES	2.5	2
Barbed Hose Bib	0.062	0.04	PSU	Panel	35	4583xxx11EP	2.5	2
#10-32 UNF FB	0.062	0.04	PEEK	Surface	35	4583xxx22ES	2.5	2
#10-32 UNF FB	0.062	0.04	PEEK	Panel	35	4583xxx22EP	2.5	2
1/4-28 UNF FB	0.062	0.04	PEEK	Surface	35	4583xxx32ES	2.5	2
1/4-28 UNF FB	0.062	0.04	PEEK	Panel	35	4583xxx32EP	2.5	2
M6 FB	0.062	0.04	PEEK	Surface	35	4583xxx42ES	2.5	2
M6 FB	0.062	0.04	PEEK	Panel	35	4583xxx42EP	2.5	2
<b>Notes</b>								
"xxx" Denotes place in catalog number for voltage or air operator designation								

**Catalog Number Description and Options**



**To Construct Catalog Number**

- Select base catalog number
- Insert voltage into the 5<sup>th</sup>, 6<sup>th</sup>, and 7<sup>th</sup> digits denoted by "xxx"

**Examples**

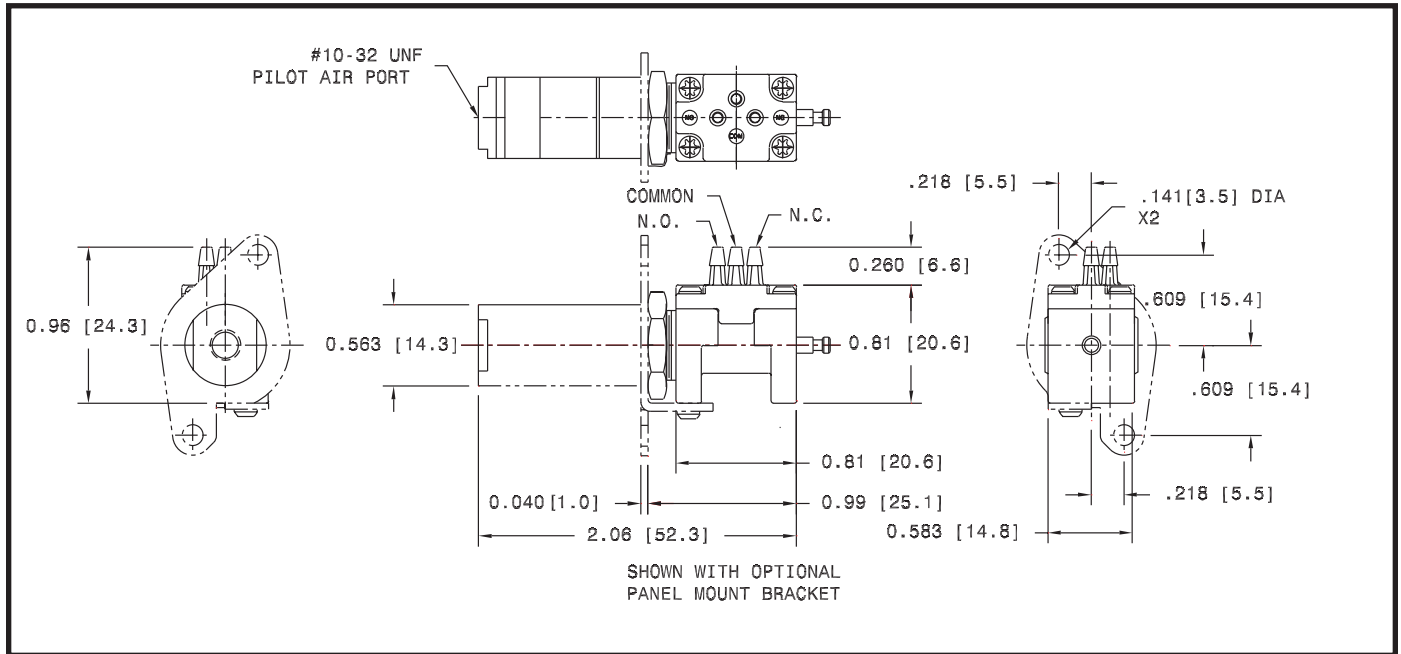
458103411ES = 2-way normally closed valve with bib ports, PSU flange, surface mounting and a 24 VDC coil

4582AIR22EP = 2-way normally open valve with #10-32 UNF flat bottom ports, PEEK flange, panel mounting and an air operator

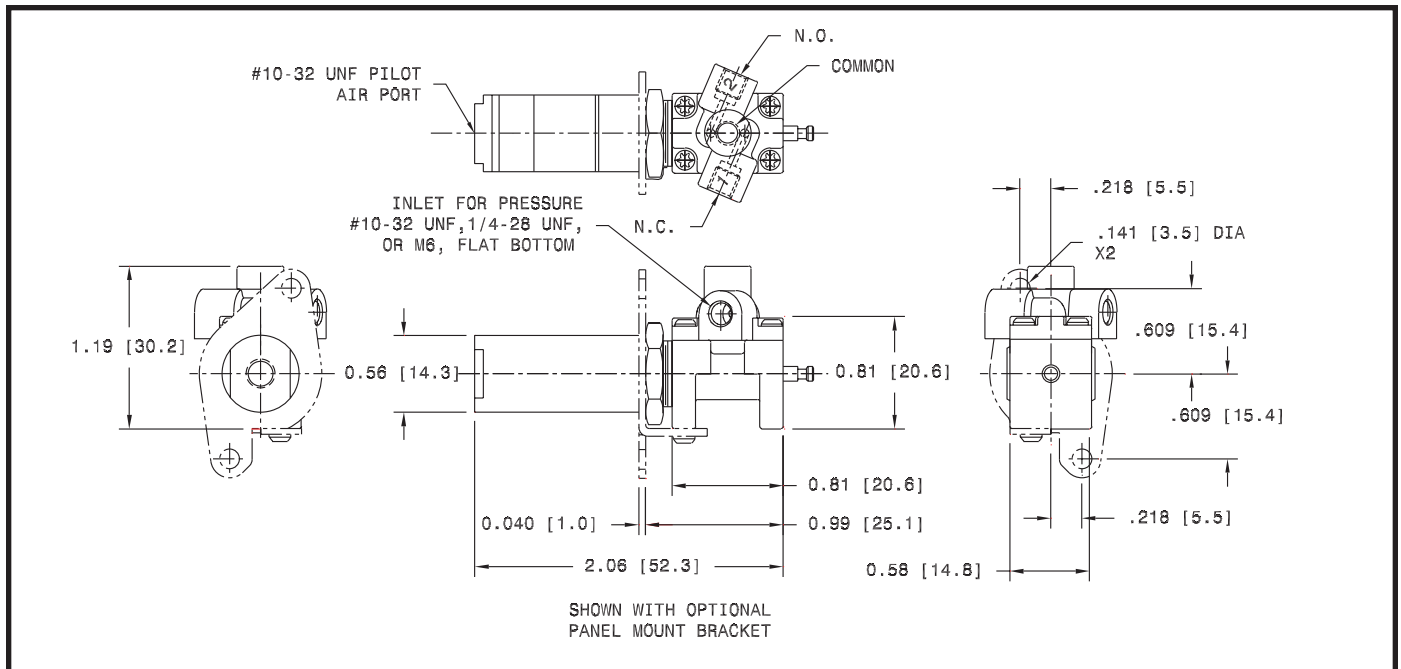
458311542ES = 3-way valve with M6 flat bottom ports, PEEK flange, surface mounting and a 115 VAC coil with rectifier



Air Operated with Bib Flange: Inches [mm]



Air Operated with Threaded Flange: Inches [mm]



Notes

- 3-way versions shown, 2-way versions are the same except they do not include the middle ports
- Bracket for optional panel mount shown in dashed lines